



GENUINE PARTS

INSTALLATION INSTRUCTIONS

DESCRIPTION: Black Badging

APPLICATION: Pathfinder

PART NUMBER: T99G8 6TA2A, T99G8 6TA4A, T99G8 6TA2B, T99G8 6TA4B

KIT CONTENTS:

Item	Qty.	Part Description
A	1	Black PATHFINDER Model Emblem
B	1	Black SV Grade Emblem (SV 2WD Only)
C	1	Black SV 4WD Emblem (SV 4WD Only)
D	1	Black SL Grade Emblem (SL 2WD Only)
E	1	Black SL 4WD Emblem (SL 4WD Only)



B



C



D



E

TOOLS REQUIRED:

- Scissors
- Metric Ruler
- Masking Tape
- 2 Soft Trim Removal Sticks
- Monofilament Fishing Line
- Clean, Lint-Free Microfiber Cloth
- 90% or Greater Isopropyl Alcohol Solution
- Carwash Soap

PRE-INSTALLATION WARNINGS, CAUTIONS, CRITICAL STEPS, and NOTES:

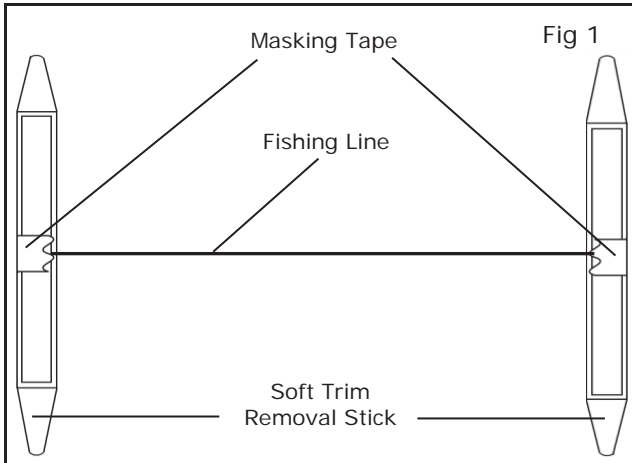
- Dealer installation recommended.
- Backdoor's exterior surface and emblems must all be between 18°C-40°C (64°F-104°F) for optimal installation.
- Do not wash vehicle for at least 72 hours after emblems are installed.
- Avoid exposing vehicle to rain, sleet, snow, and other forms of precipitation for at least 72 hours after emblems are installed.
- To allow time for adhesive to cure, maintain temperature of vehicle at 18°C-40°C (64°F-104°F) for at least 2 hours after emblems are installed.

CRITICAL STEP

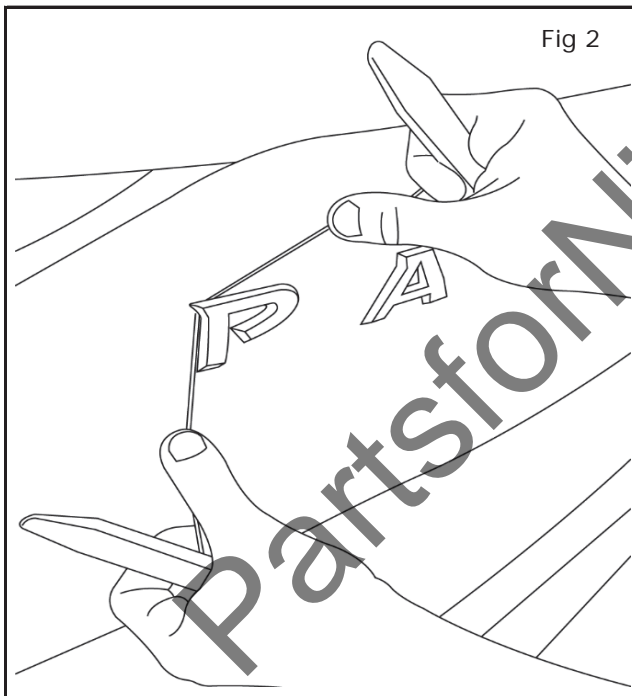
- Paper installation templates must be printed at 100% scale.

INSTALLATION PROCEDURE:

- 1) Skip to step 5 if there are no emblems pieces that require removal; otherwise, continue to next step.
- 2) Assemble emblem removal tool.
 - a) Unroll fishing line and cut 60 cm (2 feet) long piece from it.



- b) Tie knot to secure 1 end of fishing line to middle of soft trim removal stick.
- c) Tie knot to secure other end of fishing line to middle of second soft trim removal stick.
- d) Tightly wrap fishing line equal number of times around each soft trim removal stick until about 30 cm (1 foot) of fishing line remains between them.
- e) Secure fishing line to each soft trim removal stick with masking tape.



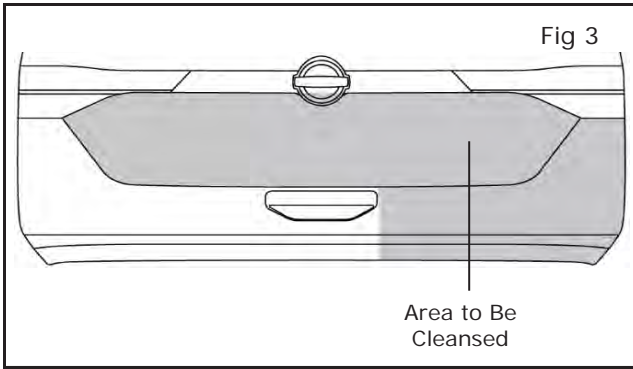
- 3) Use emblem removal tool to remove emblems that will later be replaced.
 - a) Hold 1 soft trim removal stick in each hand.
 - b) For each emblem piece, place fishing line against double-sided tape, and cut through it using sawing motion while pulling in direction you want to cut.

- 4) Carefully remove tape remnants by hand.

NOTES:

- To avoid damaging back door's paint, do not use tools to remove tape remnants.
- Removing tape remnants becomes more difficult when done at low temperatures.

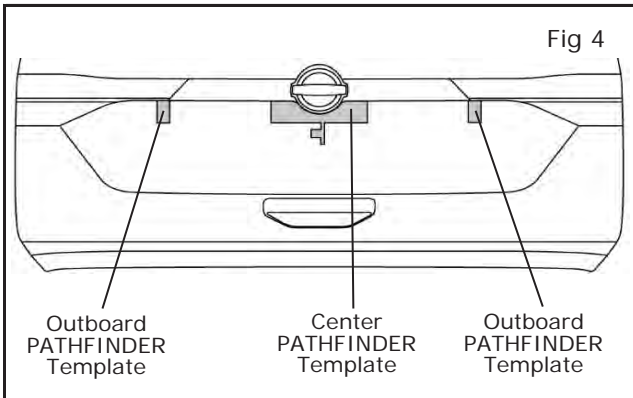
INSTALLATION PROCEDURE:



- 5) Clean portion of back door that is shaded in Fig 3.
 - a) Wash specified area of back door with carwash soap and water; then, wait until it dries.
 - b) Cleanse specified area of back door with 90% or greater isopropyl alcohol solution; then, wait until it dries.

NOTE:

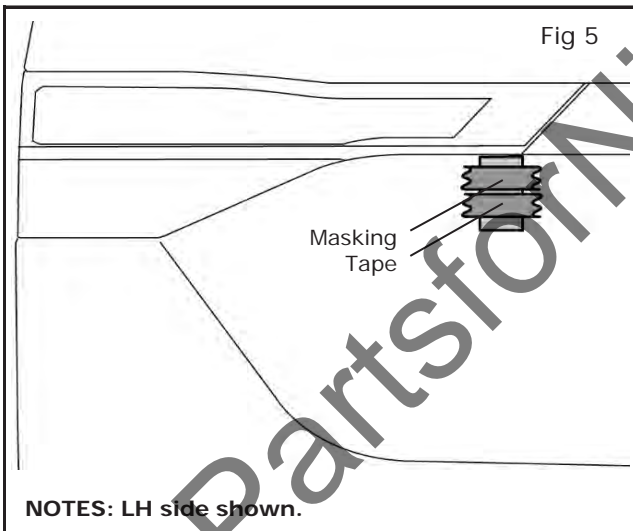
Failure to clean mounting surface properly can lead to poor adhesion between emblems and back door.



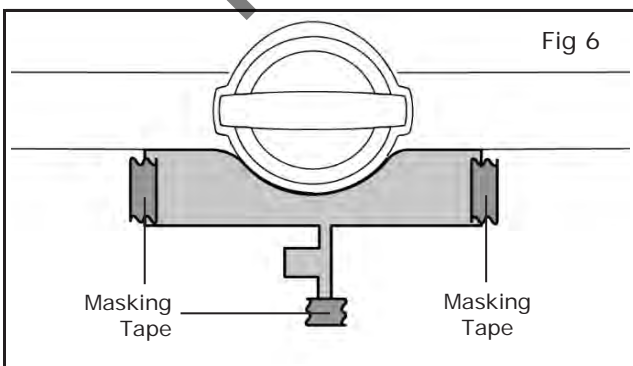
- 6) Position templates for PATHFINDER emblem as shown.

NOTES:

- Outboard PATHFINDER templates are interchangeable.
- Either side of outboard PATHFINDER template may be placed face up.

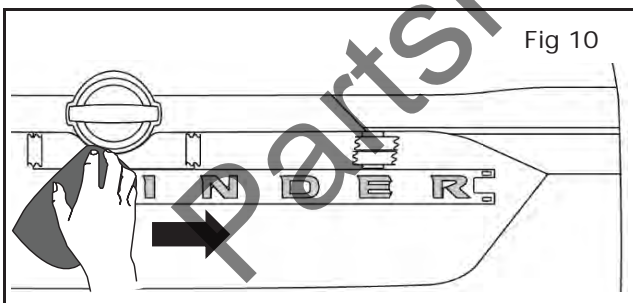
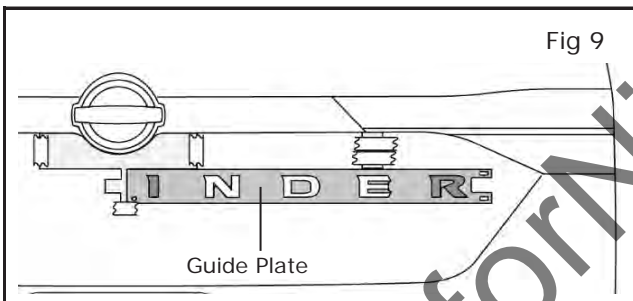
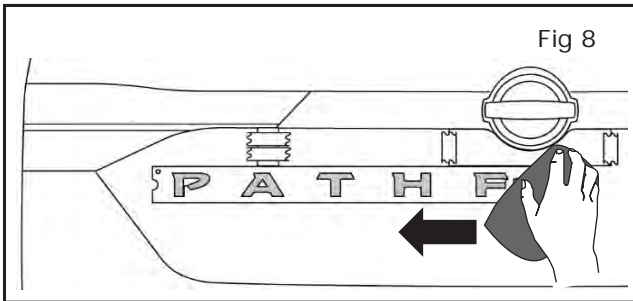
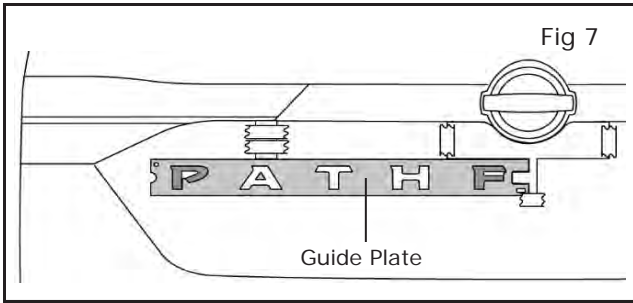


- 7) Use masking tape to secure both outboard PATHFINDER templates to back door as shown.



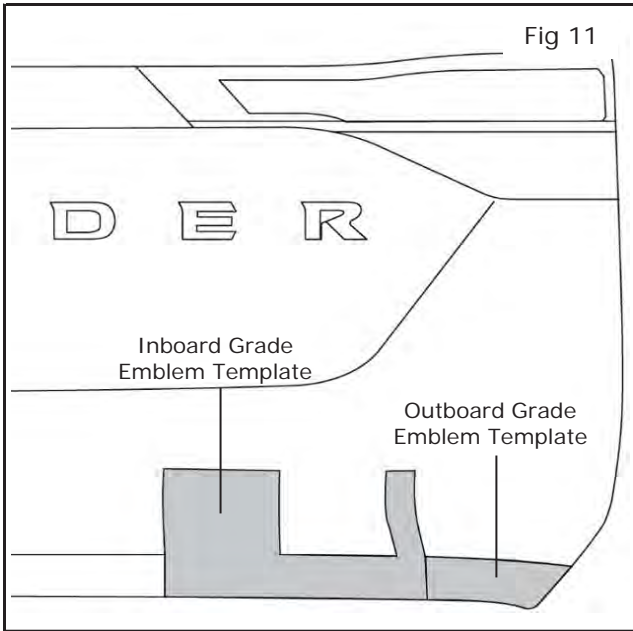
- 8) Use masking tape to secure center PATHFINDER template to back door as shown.

INSTALLATION PROCEDURE:

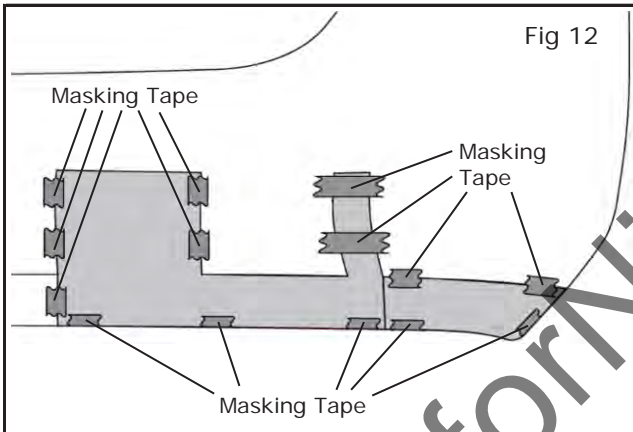


- 9) Remove and discard PATHF red adhesive liner.
- 10) Align PATHF guide plate to templates as shown.
- 11) Apply gentle pressure to lightly tack letters P and F.
- 12) Using clean, lint-free microfiber cloth, apply firm pressure across each emblem letter. Start from letter F and move outboard.
- 13) Using clean, lint-free microfiber cloth, reapply firm pressure across each emblem letter.
- 14) Remove and discard INDER red adhesive liner.
- 15) Align INDER guide plate to templates as shown.
- 16) Apply gentle pressure to lightly tack letters I and R.
- 17) Using clean, lint-free microfiber cloth, apply firm pressure across each emblem letter. Start from letter I and move outboard.
- 18) Using clean, lint-free microfiber cloth, reapply firm pressure across each emblem letter.
- 19) Remove and discard PATHFINDER emblem's protective film, guide plates, and templates.

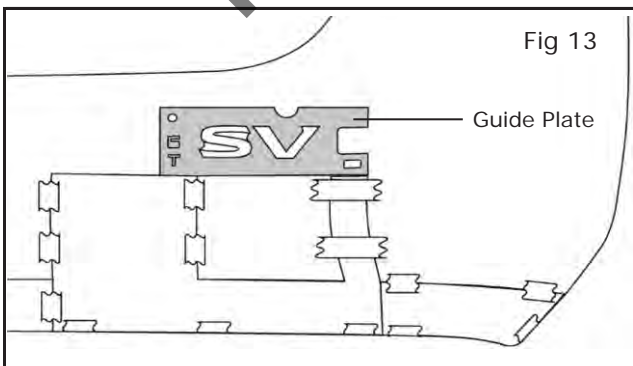
INSTALLATION PROCEDURE:



20) Position templates for grade emblem as shown.



21) Use masking tape to secure templates for grade emblem to back door as shown.



22) For SL grade emblem, skip to step 31.

23) For SV 4WD emblem, skip to step 37.

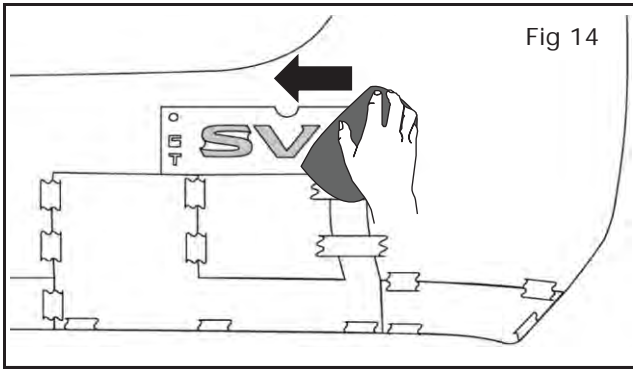
24) For SL 4WD emblem, skip to step 43.

25) Remove and discard SV emblem's red adhesive liner.

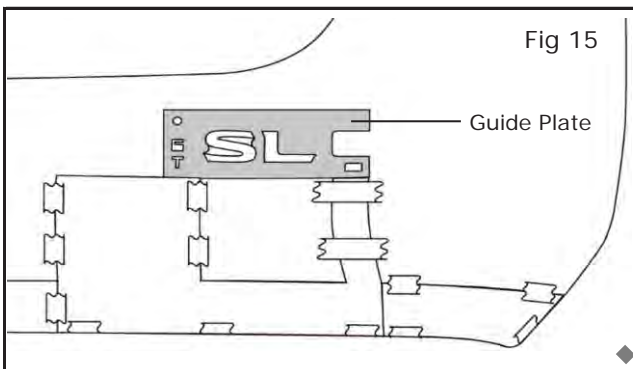
26) Align SV emblem's guide plate to templates as shown.

27) Apply gentle pressure to lightly tack each letter.

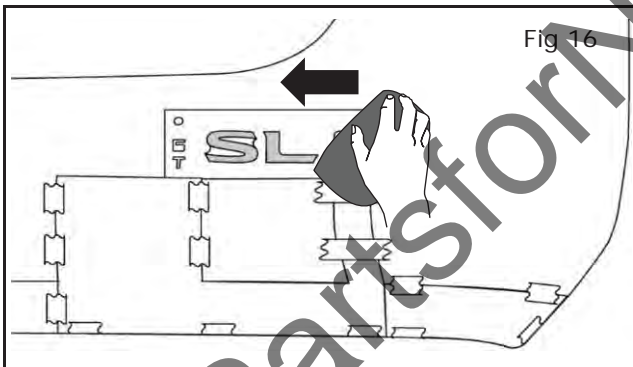
INSTALLATION PROCEDURE:



- 28) Using clean, lint-free microfiber cloth, apply firm pressure across each emblem letter. Start from letter V and move inboard.
- 29) Using clean, lint-free microfiber cloth, reapply firm pressure across each emblem letter.



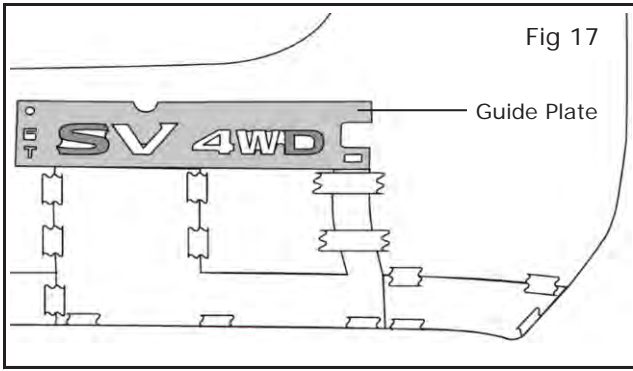
- 30) Skip to step 48.
- 31) Remove and discard SL emblem's red adhesive liner.
- 32) Align SL emblem's guide plate to templates as shown.
- 33) Apply gentle pressure to lightly tack each letter.



- 34) Using clean, lint-free microfiber cloth, apply firm pressure across each emblem letter. Start from letter L and move inboard.
- 35) Using clean, lint-free microfiber cloth, reapply firm pressure across each emblem letter.

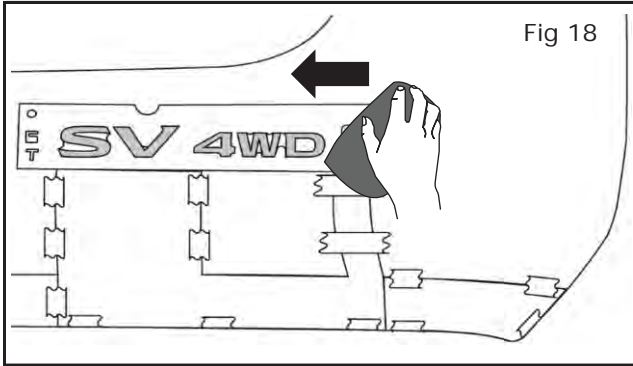
- 36) Skip to step 48.
- 37) Remove and discard SV 4WD emblem's red adhesive liner.

INSTALLATION PROCEDURE:



38) Align SV 4WD emblem's guide plate to templates as shown.

39) Apply gentle pressure to lightly tack letters S and D.

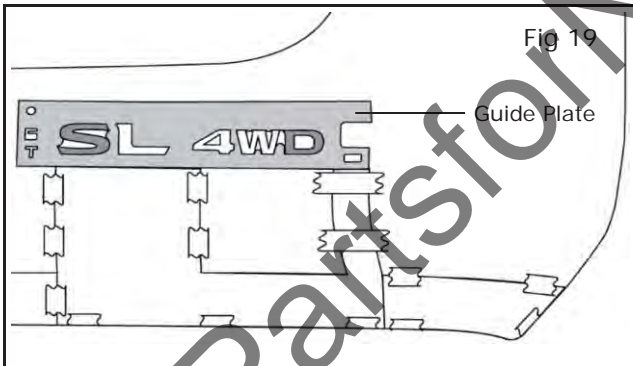


40) Using clean, lint-free microfiber cloth, apply firm pressure across each emblem letter. Start from letter D and move inboard.

41) Using clean, lint-free microfiber cloth, reapply firm pressure across each emblem letter.

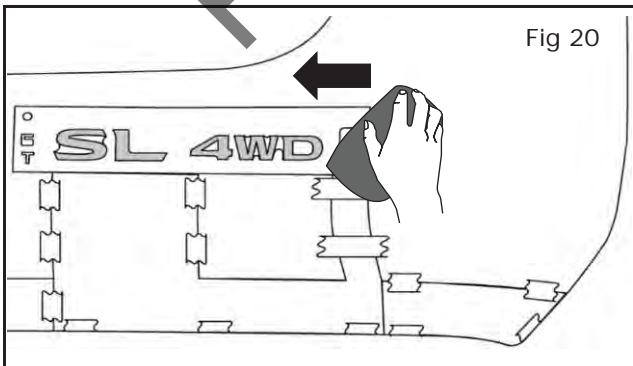
42) Skip to step 48.

43) Remove and discard SL 4WD emblem's red adhesive liner.



44) Align SL 4WD emblem's guide plate to templates as shown.

45) Apply gentle pressure to lightly tack letters S and D.



46) Using clean, lint-free microfiber cloth, apply firm pressure across each emblem letter. Start from letter D and move inboard.

47) Using clean, lint-free microfiber cloth, reapply firm pressure across each emblem letter.

INSTALLATION PROCEDURE:

- 48) Remove and discard grade emblem's protective film, guide plate, and templates.

PartsforNissans.com



**Check Printer
Settings**

**Print 100%
Scale On 8.5
Inch x 11
Inch Sheet**

TEMPLATES ARE PRINTED
TO 100% SCALE IF
DIMENSIONS OF BOX ARE
50 MM x 50 MM. CONFIRM
DIMENSIONS OF BOX ARE
CORRECT.

**OUTBOARD
PATHFINDER
TEMPLATE**

CENTER PATHFINDER TEMPLATE

**OUTBOARD GRADE
EMBLEM TEMPLATE**

**OUTBOARD
PATHFINDER
TEMPLATE**

artsforNissan.com



**Check Printer
Settings**

**Print 100%
Scale On 8.5
Inch x 11
Inch Sheet**

INBOARD GRADE EMBLEM TEMPLATE

PartsforNissans.com

TEMPLATE IS PRINTED TO
100% SCALE IF
DIMENSIONS OF BOX ARE
50 MM x 50 MM. CONFIRM
DIMENSIONS OF BOX ARE
CORRECT.