



GENUINE PARTS

INSTALLATION INSTRUCTIONS

DESCRIPTION:	Trailer Tow Mirror
APPLICATION:	Titan
PART NUMBER:	999L1 W700A/B/C/D (see below)

KIT CONTENTS:

Item	Qty.	Part Description	Service Part Number
A	1	TRAILER TOW MIRROR-KIT (K/C & C/C SV, SV+, PRO-4X BASE)	999L1 W700A
B	2	MIRROR ASSY-OUTSIDE, RH	96301 9FT1E
C	1	MIRROR ASSY-OUTSIDE, LH	96302 9FT1E
D	1	COVER-FR DOOR CORNER, INR RH	80292 EZ00A
E	1	COVER-FR DOOR CORNER, INR LH	80293 EZ00A
F	1	I/I REPLACEMENT TEMPLATE	N/A

Item	Qty.	Part Description	Service Part Number
A	1	TRAILER TOW MIRROR-KIT (C/C PRO-4X W/POWERFOLD)	999L1 W700B
B	1	MIRROR ASSY-OUTSIDE, RH	96301 9FT3E
C	1	MIRROR ASSY-OUTSIDE, LH	96302 9FT3E
D	1	COVER-FR DOOR CORNER, INR RH	80292 EZ00A
E	1	COVER-FR DOOR CORNER, INR LH	80293 EZ00A
F	1	FIN ASSY-POWER WDW SW, LH	80961 9FT3A
G	1	SW ASSY-MIRROR CONT	25570 1AA1A
H	1	I/I REPLACEMENT TEMPLATE	N/A

Item	Qty.	Part Description	Service Part Number
A	1	TRAILER TOW MIRROR-KIT (C/C - SL, PLATINUM)	999L1 W700C
B	1	MIRROR ASSY-OUTSIDE, RH	96301 9FV6E
C	1	MIRROR ASSY-OUTSIDE, LH	96302 9FV6E
D	1	COVER-FR DOOR CORNER, INR RH	80292 EZ00A
E	1	COVER-FR DOOR CORNER, INR LH	80293 EZ00A
F	1	FIN ASSY-POWER WDW SW, LH	80961 9FT3A
G	1	SW ASSY-MIRROR CONT	25570 1AA1A
H	1	I/I REPLACEMENT TEMPLATE	N/A

Item	Qty.	Part Description	Service Part Number
A	1	TRAILER TOW MIRROR-KIT (K/C PRO-4X W/POWERFOLD)	999L1 W700D
B	1	MIRROR ASSY-OUTSIDE, RH	96301 9FT3E
C	1	MIRROR ASSY-OUTSIDE, LH	96302 9FT3E
D	1	COVER-FR DOOR CORNER, INR RH	80292 EZ00A
E	1	COVER-FR DOOR CORNER, INR LH	80293 EZ00A
F	1	FIN ASSY-POWER WDW SW, LH	80961 9FT1A
G	1	SW ASSY-MIRROR CONT	25570 1AA1A
H	1	I/I REPLACEMENT TEMPLATE	N/A



GENUINE PARTS

INSTALLATION INSTRUCTIONS

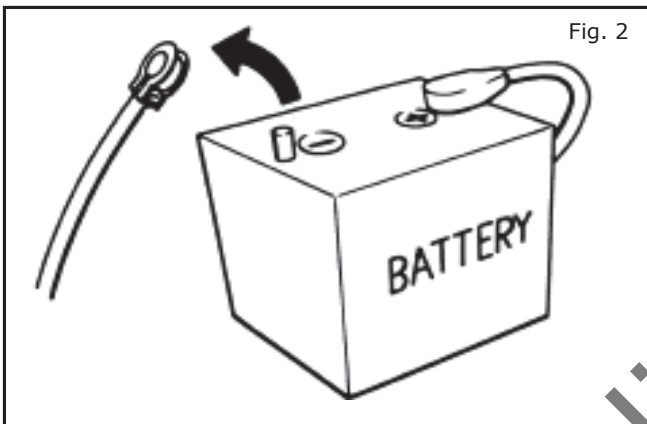
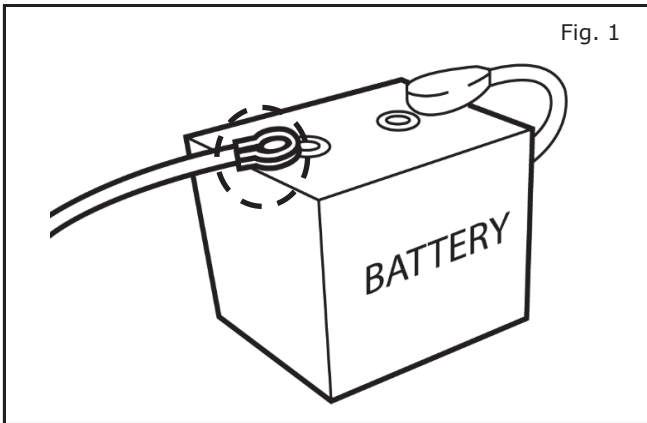
TOOLS REQUIRED:

- Ratchet with extension
- Trim stick
- Masking tape
- 10mm deep socket
- Small flat head screwdriver

PRE-INSTALLATION WARNINGS, CAUTIONS, CRITICAL STEPS, and NOTES:

- Dealer installation recommended. Instructions may refer to Service Manual.
- Please read this instruction carefully before installing this product for correct installation.
- Please DO NOT use or install the part in ways other than what is described.
- Fully roll up front windows and turn vehicle off before beginning installation.
- Be careful not to damage vehicle or tow mirrors during installation.
- Always remove vehicle parts in the sequence directed. Improper procedure can damage parts.
- Visually check clips and pawls for deformation and damage during installation.
- When installing front door finisher, check that clips and pawls are securely placed into door panel holes
- If main power window and door lock/unlock switch is disconnected, perform initialization procedure and anti-pinch function. Refer to service manual.
- Perform camera image calibration (if equipped with around view monitor). Refer to service manual.
- Trim pieces found to have witness marks or broken clips ARE NOT to be reinstalled.
- Store removed parts in a safe manner.
- If a problem occurs during installation, please contact Nissan dealer where product was purchased.

INSTALLATION PROCEDURE:



1) Roll up front windows and turn vehicle completely off.

2.1) Disconnect battery terminal

- a) Locate negative battery terminal.
- b) Loosen nut with 10mm socket.

Battery Terminal Nut



▲ CAUTION

- Allow 3 min after key off with doors closed for vehicle power to time out.

2.2) Disconnect battery terminal

- a) Lift negative battery terminal off stud.
- b) Isolate negative battery terminal.

▲ CAUTION

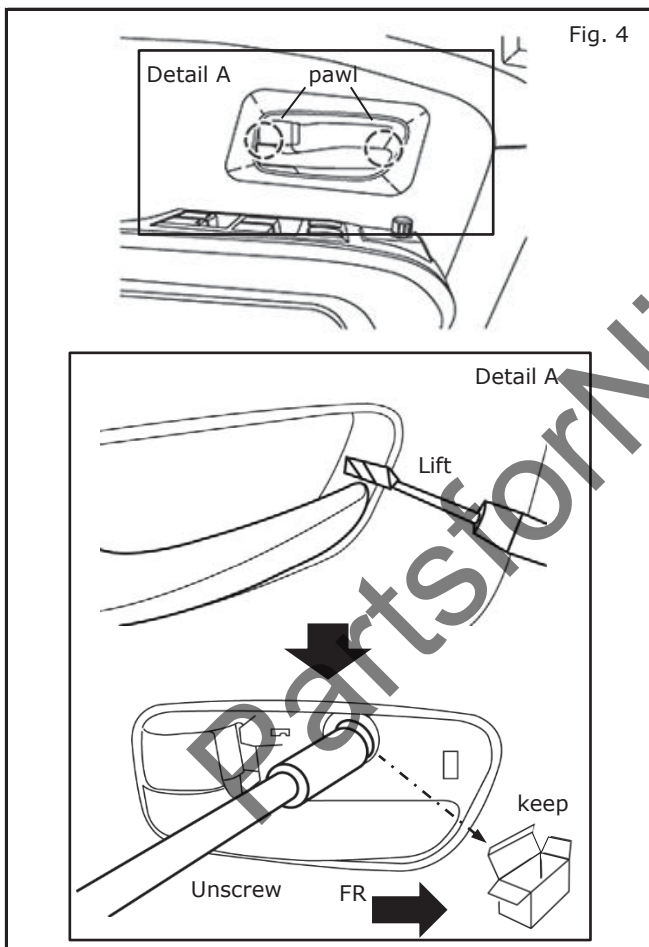
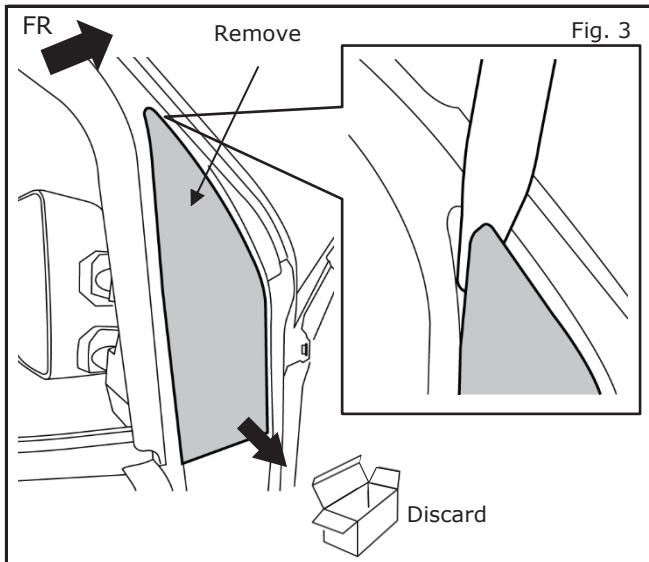
- Allow 3 min after negative terminal disconnect before separating any electrical connectors.

2.3) Disconnect battery terminal

▲ CAUTION

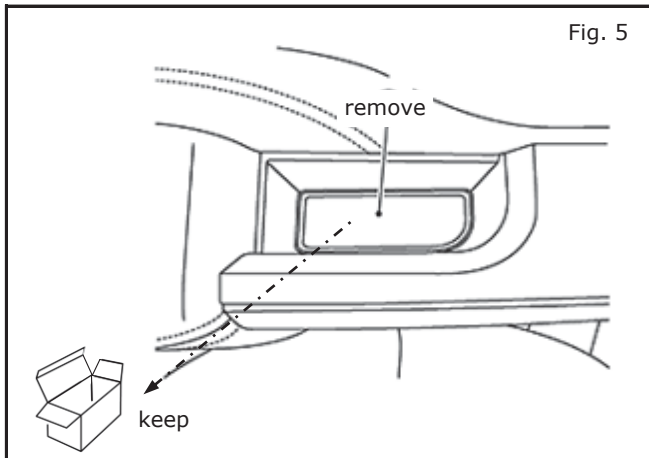
- If vehicle has dual batteries, repeat steps 2.5 & 2.6 for other battery.

INSTALLATION PROCEDURE:

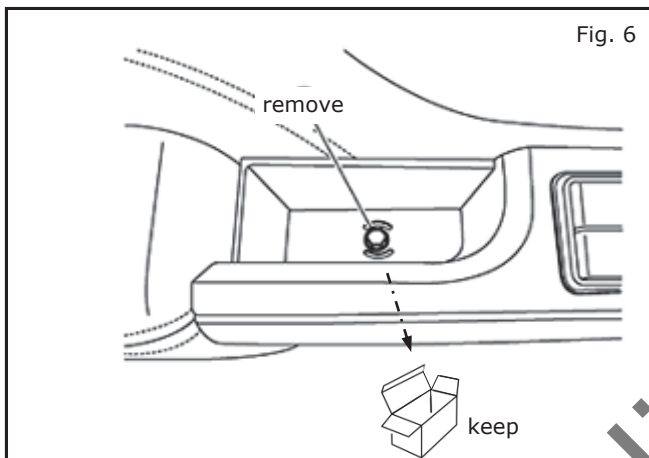


- 3) Open front LH door and remove black door cover to expose door mirror nuts.
- 4) Using trim stick start from top of door cover and peel back to remove. Discard once fully removed.
- 5) Remove any residual adhesive on vehicle surface after door cover is removed.
- 6) Pull handle and use small flat head screwdriver wrapped with tape on its end to release pawls and remove inside handle escutcheon.
- 7) Using 10mm deep socket remove screw from inside door handle.

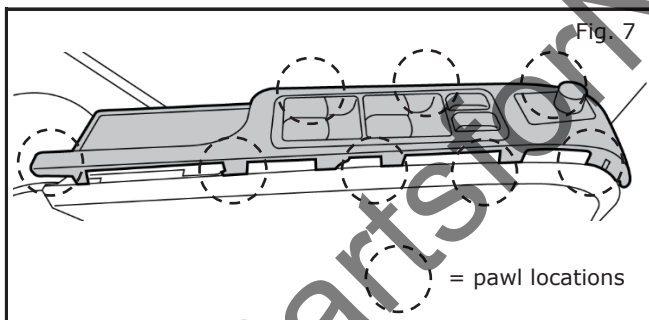
INSTALLATION PROCEDURE:



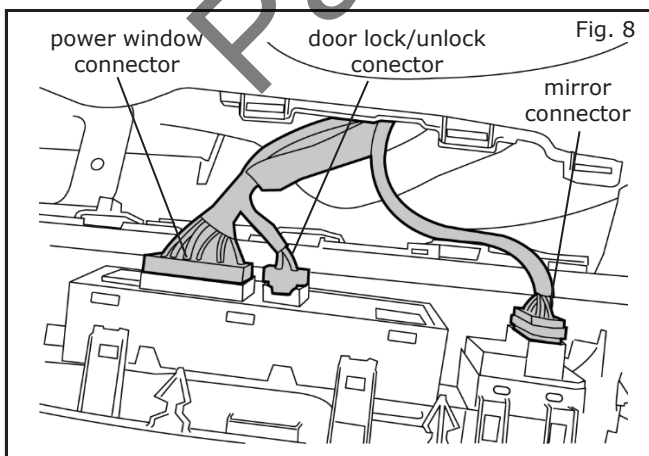
- 8) Using trim stick, release pawls, then remove switch finisher screw cover and keep to reuse.



- 9) Remove screw from inside door handle and keep to reuse.



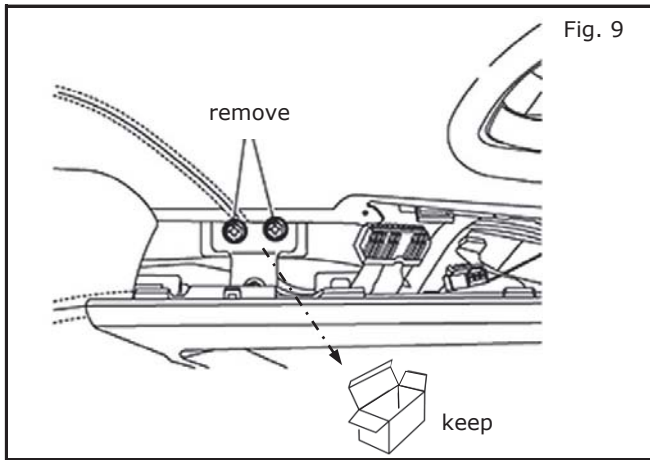
- 10) Release pawls to release switch finisher.



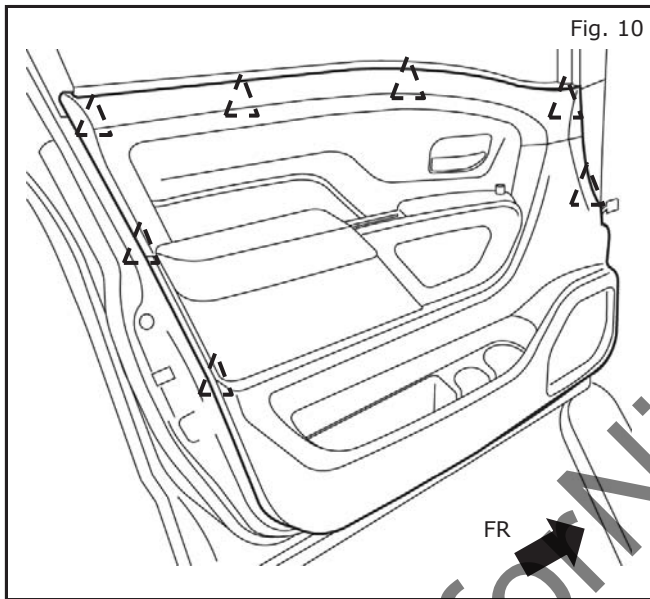
- 11) Disconnect power window, door lock/unlock, and mirror connectors.

NOTE: If installing trailer tow mirror kit 999L1 W700A, set aside disconnected switch finisher and keep to reinstall.

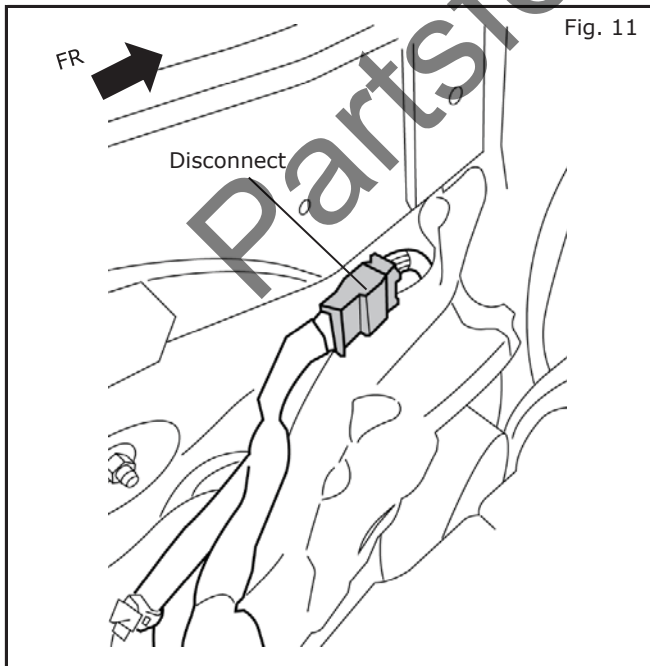
INSTALLATION PROCEDURE:



12) Remove screws from bracket and keep to reuse.

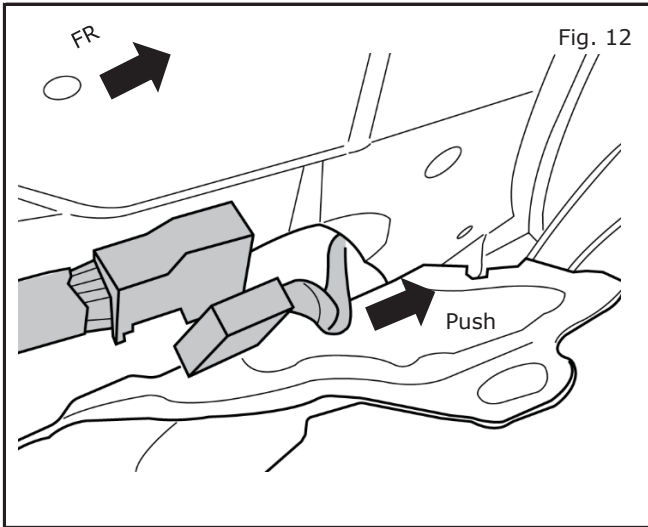


13) Using trim stick release all clips at marked locations. Leave bottom clips engaged.

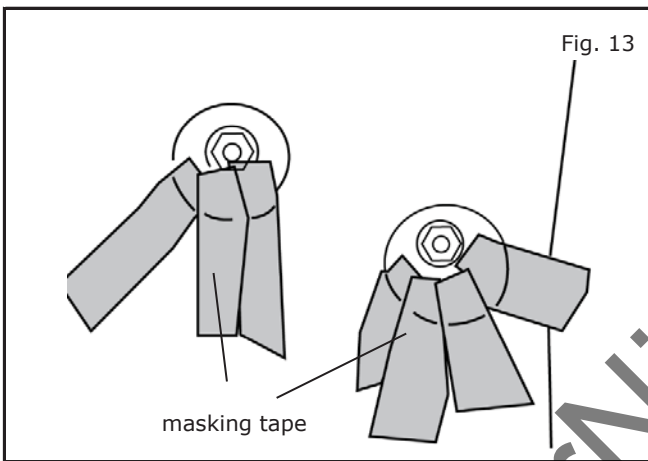


14) Disconnect harness connector from door mirror.

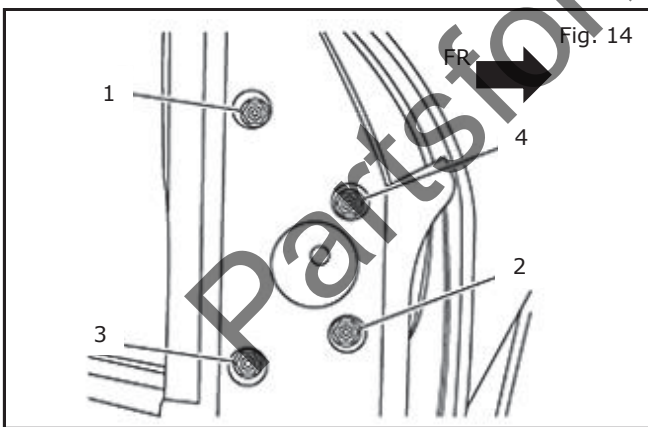
INSTALLATION PROCEDURE:



- 15) Carefully peel back small section of barrier and push harness connector back into opening of door metal. Keep barrier open so trailer tow mirror harness can be routed back through when installed.



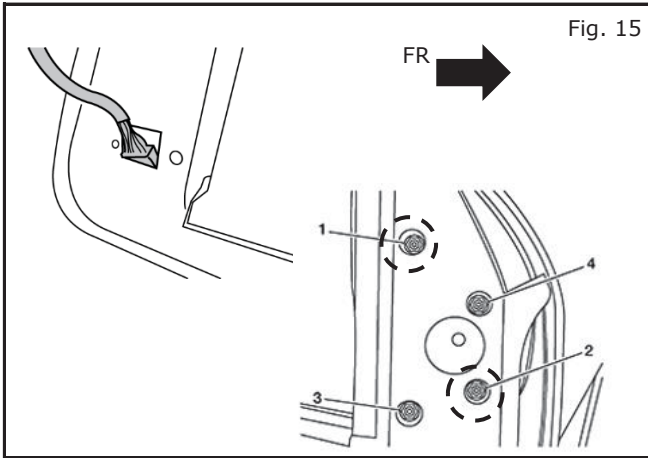
- 16) Using masking tape, tape around each of the four holes to prevent nuts from falling inside door during removal.



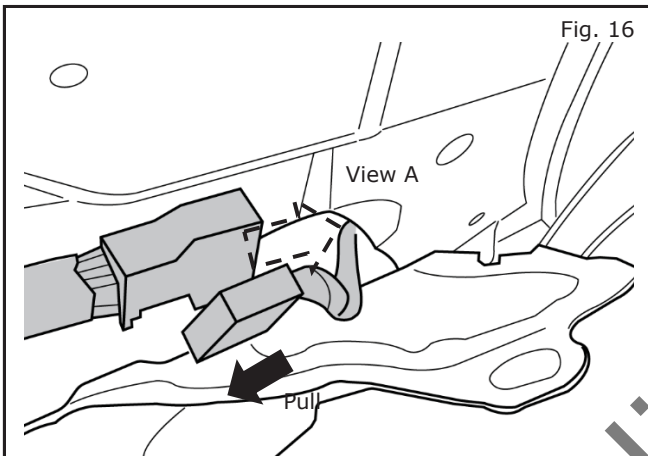
- 17) Remove nuts in sequence shown.

- 18) Remove mirror with harness completely from vehicle.

INSTALLAT 5

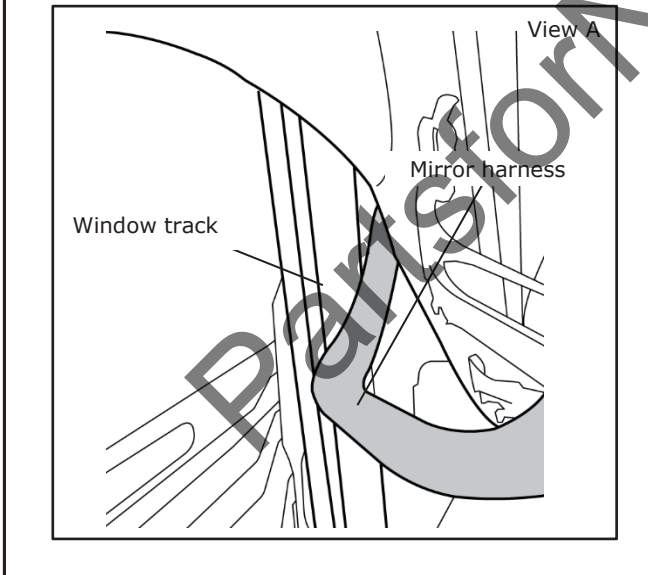


- 19) Take trailer tow mirror and route harness back through outer door metal at bottom mirror base.
- 20) Loosely install mirror base by reinstalling 1 upper and 1 lower nut.



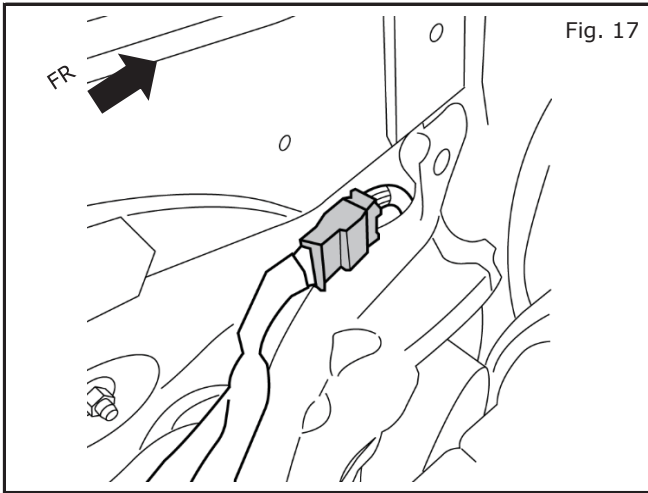
- 21) Find mirror harness connector and pull through opening of door inner metal. Make sure harness is on right side of window track and NOT on left side (see view A).

NOTE: VERIFY harness routes in front of window track and not wrapping behind.

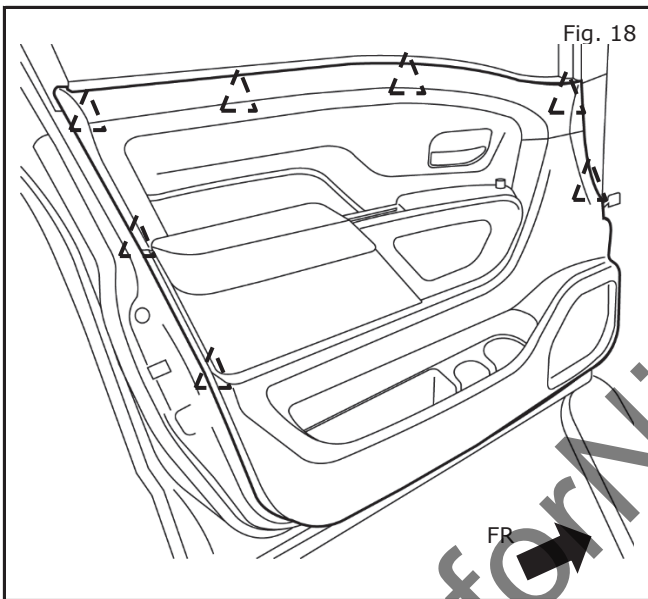


- 22) Push down vapor barrier back onto black tacky adhesive to reseal.

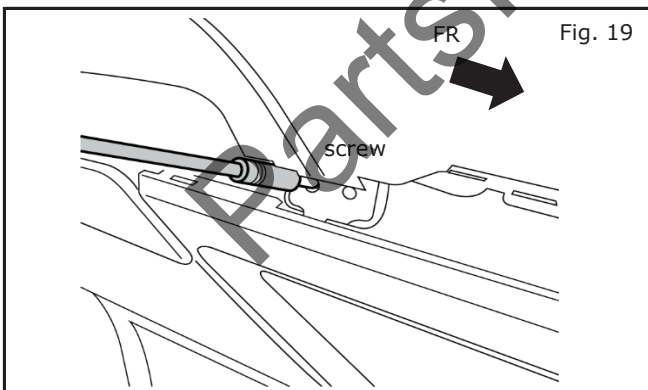
INSTALLATION PROCEDURE:



23) Reconnect door harness connector to door mirror harness.

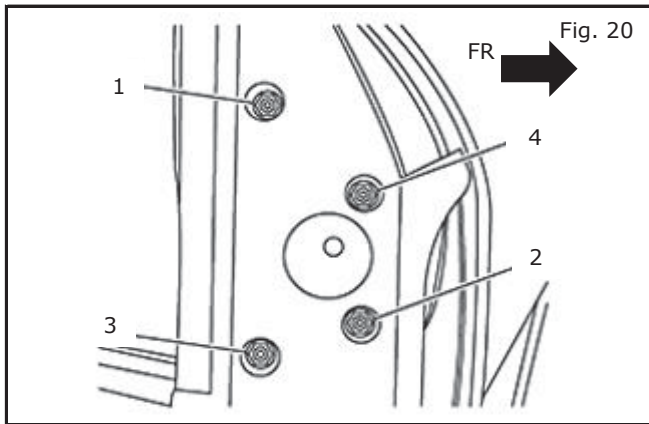


24) Reinstall front door finisher by reengaging all clips at marked areas.

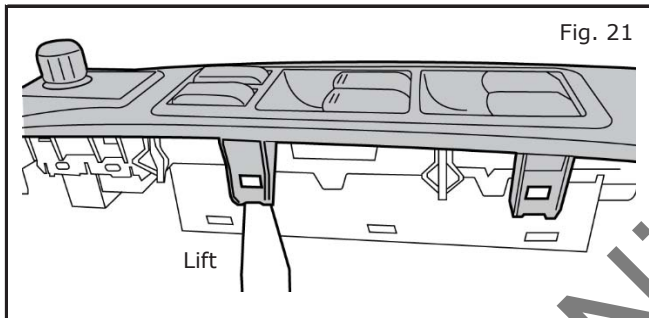


25) Reinstall previous removed screws (x2) to torque specification of 4.4 - 6.6 N-m back into bracket door handle (driver side).

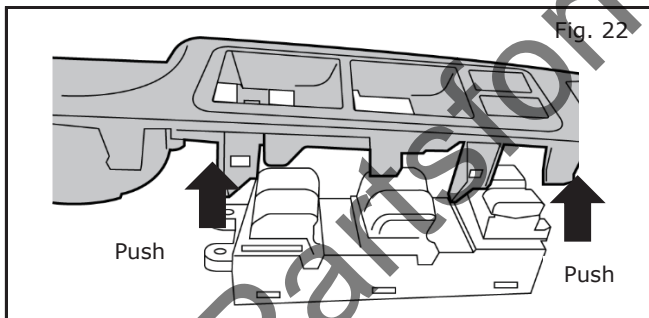
INSTALLATION PROCEDURE:



- 26) Install rest of nuts finger tight, then tighten fully to torque specification of 8 N-m (0.8 kg-m, 71in-lb) in sequence shown.

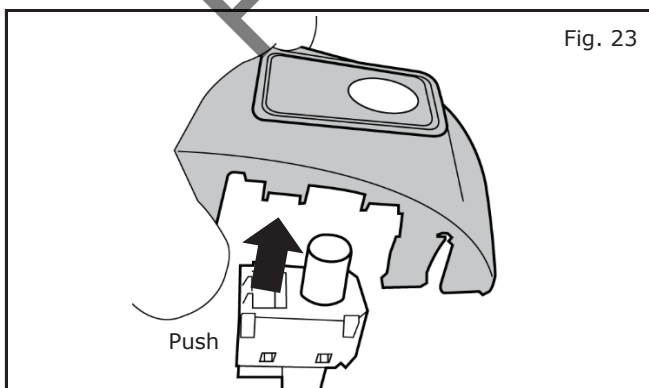


- 27) If installing trailer tow mirror kit for King Cab or Crew Cab on SV, SV+ or PRO-4X BASE grade go to step 31. Go to step 28 if installing trailer tow mirror kit for SL, Platinum grade, or Crew Cab and King Cab Pro-4X that had powerfold mirror.



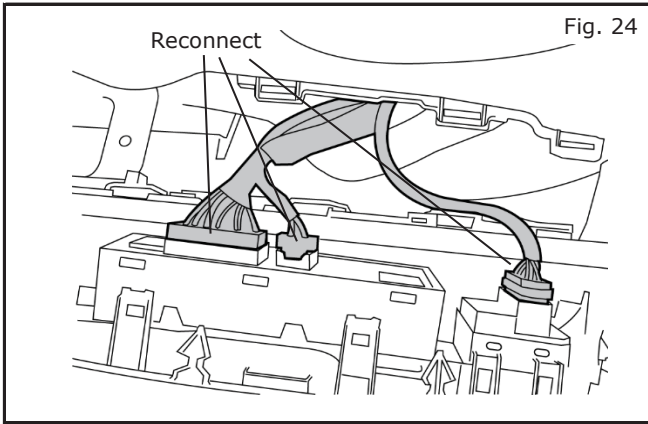
- 28) Using trim stick remove door lock/unlock and window switch control assembly from switch finisher by disengaging all 4 clips.

- 29) Using new switch finisher included in kit reinstall door lock/unlock window switch control assembly by engaging all 4 clips until you hear clicking noise.

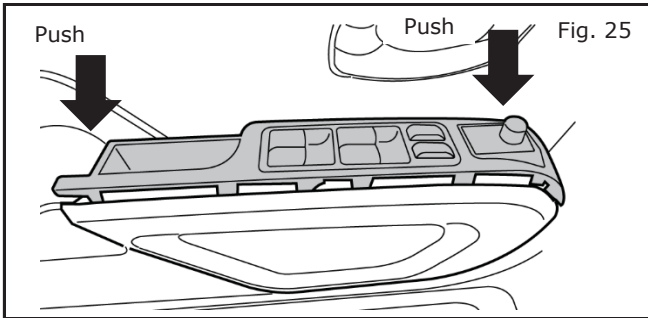


- 30) Take mirror control switch included in kit and install into new switch finisher until you hear clicking noise.

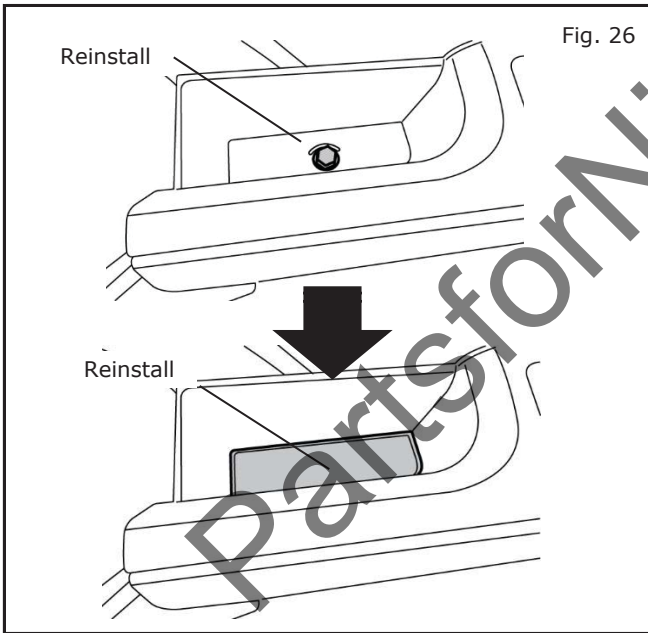
INSTALLATION PROCEDURE:



31) Reinstall corresponding door harness connectors to switch assembly.

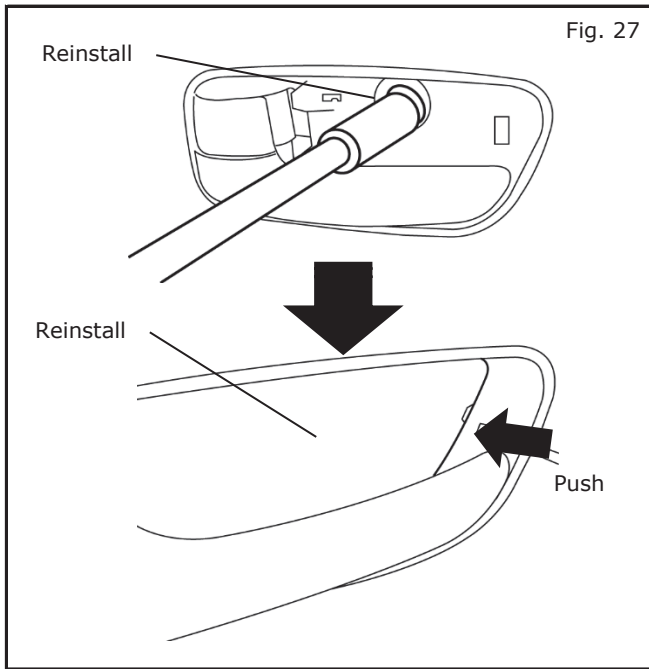


32) Push down to reinstall switch finisher until you hear clicking noise when all pawls reengage.

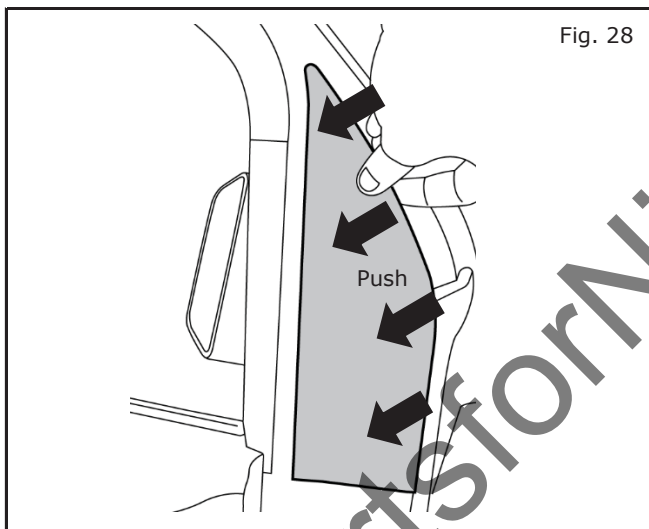


33) Reinstall screw to torque specification of 4.3 - 5.9 N-m and switch finisher screw cover.

INSTALLATION PROCEDURE:



34) Reinstall screw to torque specification of 4.3 - 5.9 N-m and inside handle escutcheon.



35) Install LH door cover included in kit. Align to contour of door edges and push adhesive side along entire surface of part to adhere to door surface.

36) Repeat steps 3-26 and 31-35 for RH trailer tow mirror installation.

ACCESSORY CHECK:

- Tighten battery terminal nut to 5 N-m. If vehicle has dual batteries, tighten other negative battery cable.
- Perform initialization procedure and anti-pinch function. Refer to service manual.
- Perform camera image calibration (if equipped with around view monitor). Refer to service manual.
- Verify mirror switch function by performing component function check. Refer to service manual.
- Confirm no loose trim.
- Verify door lock and window operability.