



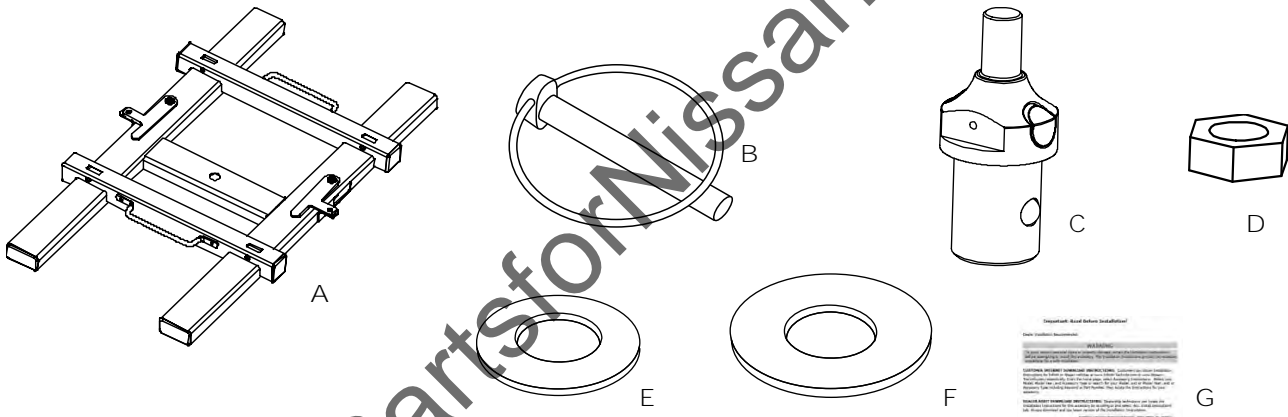
# GENUINE PARTS

## INSTALLATION INSTRUCTIONS

DESCRIPTION:	Fifth Wheel Adapter
APPLICATION:	Titan
PART NUMBER:	999T5 W4198

### KIT CONTENTS:

Item	Qty.	Part Description	Service Part Number
A	1	Fifth Wheel Adapter	999T5 W4198
B	2	Lynch Pin	---
C	1	Center Gooseneck Attachment	---
D	1	Center Locking Nut	---
E	2	Conical Washer	---
F	1	Flat Washer	---
G	1	Installation Instruction Replatement Template	999V2 AW000



### TOOLS REQUIRED:

- ≥90% Alcohol/Water Solution
- NLGI 2 (normal) or 3 (firm) grease
- Ball End Hex Wrench 4 mm
- Microfiber Cloth
- Rubber Mallet

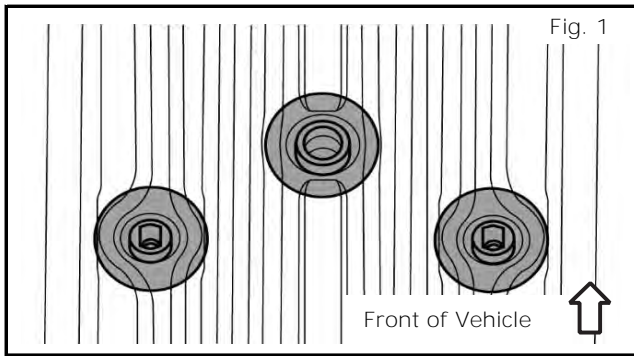
### PRE-INSTALLATION WARNINGS, CAUTIONS, CRITICAL STEPS, and NOTES:

- Dealer Installation Recommended. Instructions may refer to Service Manual.
- Recommend two person installation.

### WARNING

- Refer to your owner's manual for important information about towing capacity and weight distribution. Remove drop in bed liners and any loose bed debris prior to use.

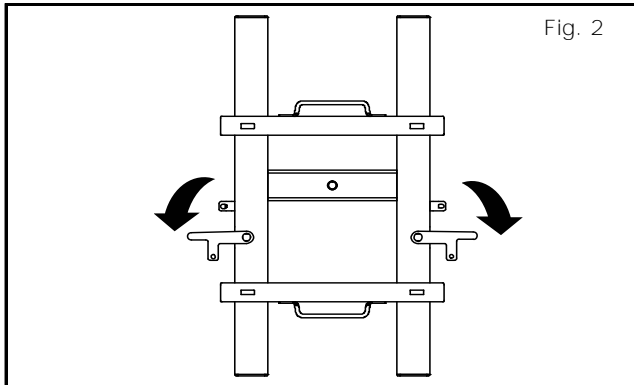
INSTALLATION PROCEDURE:



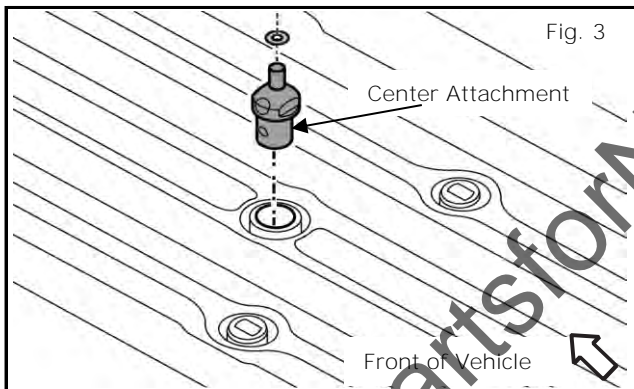
- 1) Remove protective caps from integrated gooseneck hitch.
- 2) Clean three attachment points shown in Fig. 1 and remove any obstructions.

NOTE:

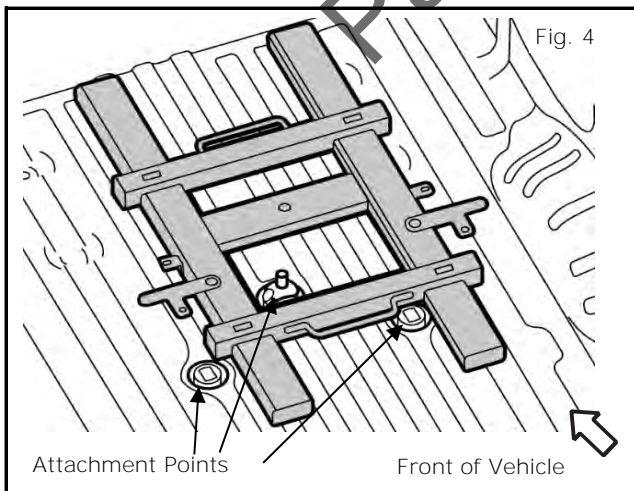
Apply grease to the cleaned locking interfaces to aid in the installation and removal of the fifth wheel adapter.



- 3) Rotate both locking handles 90 degrees from locking bracket to unlocked position as shown.



- 4) Insert center attachment into gooseneck hitch with a conical washer facing up (widest end up). Align flat sides so that they are parallel to end of bed.

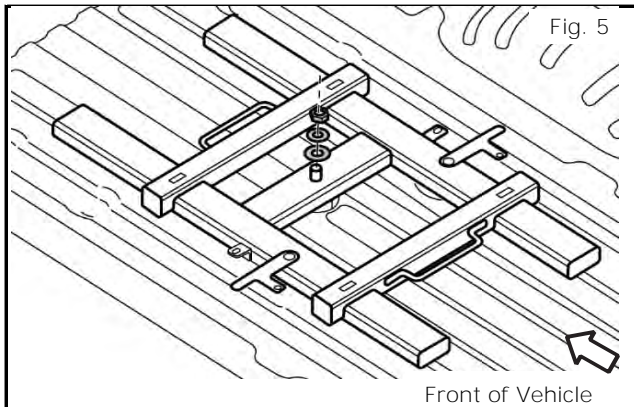


- 5) Use provided lift handles to position fifth wheel adapter over three attachment points.

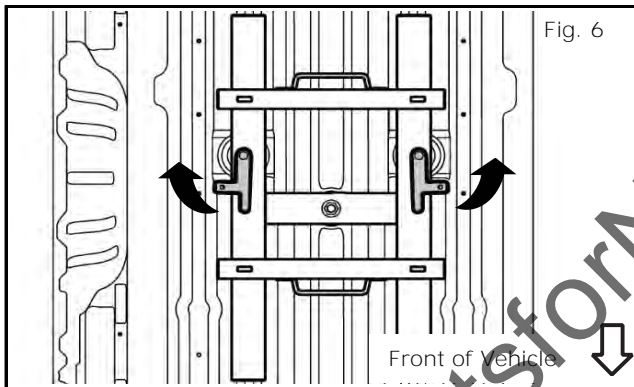
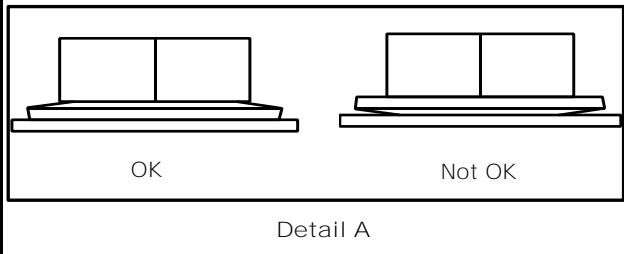
NOTE:

Fifth wheel adapter is very heavy, it is recommended to team lift the fifth wheel adapter with another person.

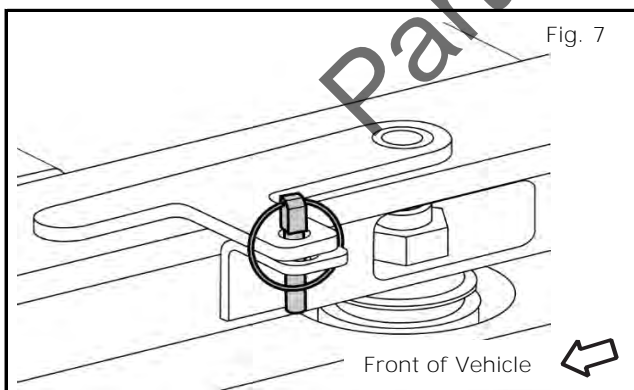
INSTALLATION PROCEDURE:



- 6) Insert flat washer, conical washer (raised side facing up - see "Detail A"), and center locking nut. Tighten center locking nut to 80 ft-lbs.



- 7) Rotate rear handles 90 degrees to locked position as shown. See Fig. 6.



- 8) Insert lynch pin into two rear locking points. See Fig 7 and 8. Rubber mallet can be used if rotating handles is difficult.

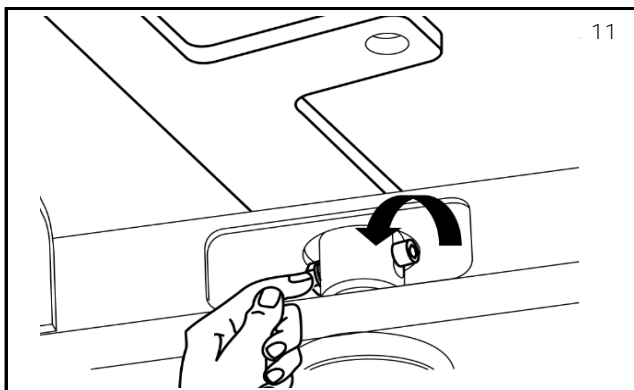
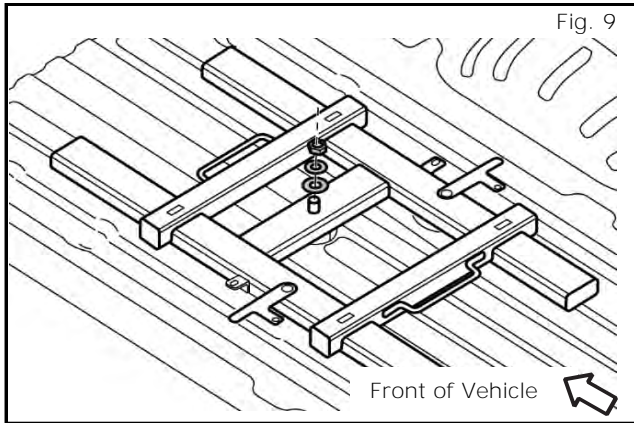
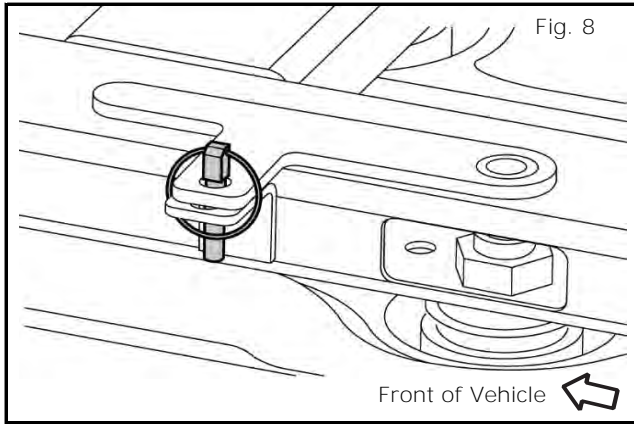
NOTE:

If the handles will not turn or there is play in the rear attachments, then use the adjustment operation and go to step 9.

NOTE:

If you choose to use pad locks, ensure the locking arm has a minimum diameter of 6 mm (or 1/4 inch).

ADJUSTMENT PROCEDURE (OPTIONAL):



- 9) Fifth wheel adapter has been design to accommodate manufacturing tolerances between vehicle and adapter. If unable to turn handles, remove fasteners and lynch pins and remove fifth wheel adapter.

NOTE:

If fifth wheel adapter fits, skip the adjustment procedure.

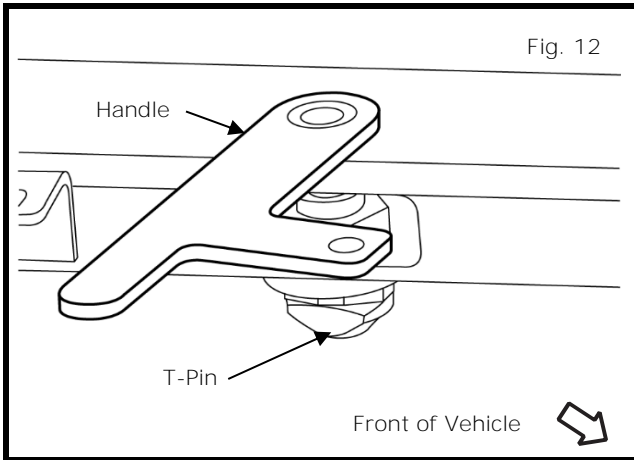
- 10) Rotate adapter and locate hex bolt. It may be necessary to rotate locking handle to locate hex bolt. Use ball end hex wrench to loosen hex bolt.

NOTE:

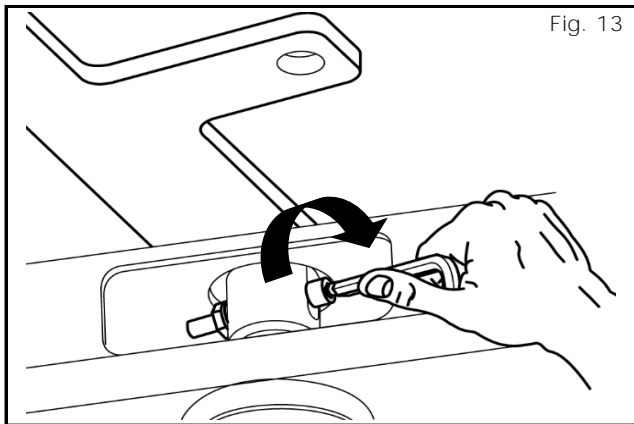
Fifth wheel adapter is very heavy, it is recommended to team lift the fifth wheel adapter with another person. Have the second person hold the adapter steady while steps 10 through 13 are done.

- 11) Rotate handle to allow access to hex bolt and nut. Hold nut still with one finger and rotate hex bolt until it pulls out.

ADJUSTMENT PROCEDURE (OPTIONAL):

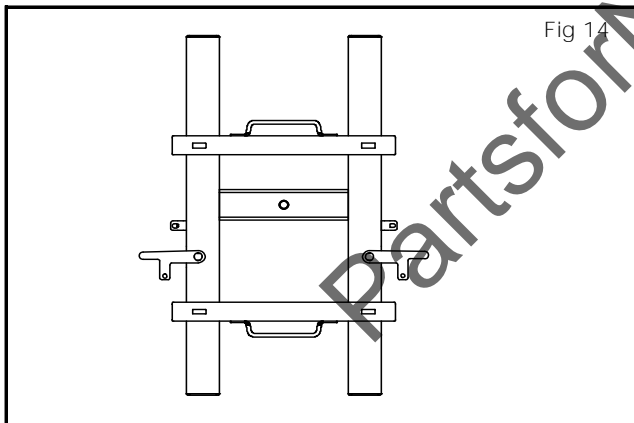


- 12) Rotate handle one half turn (180 degrees) while holding T-pin steady. Rotate handle clockwise if the handle was too loose. Rotate handle counter-clockwise if handle did not lock.



- 13) Insert the hex bolt into the handle assembly and finger tighten the nut onto the hex bolt. Use the ball end hex wrench to tighten the bolt. Repeat steps 10-13 on the opposite if it was too loose or could not lock.

NOTE:  
Do not over tighten bolt. Reference Tighten Torque: 3.8~4.4N-m { 34~39 in-lb }



- 14) When adjustments are complete, repeat Steps 3-8. If further adjustments are needed repeat steps 10-13.

NOTE:  
Fifth wheel adapter is very heavy, it is recommended to team lift the fifth wheel adapter with another person.