



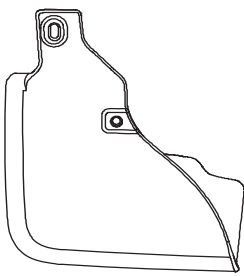
GENUINE PARTS

INSTALLATION INSTRUCTIONS

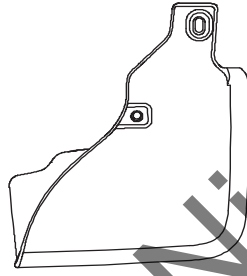
DESCRIPTION:	Splash Guard-Front
APPLICATION:	Rogue
PART NUMBER:	T99J2 6RR0A

KIT CONTENTS:

Item	Qty.	Part Description	Service Part Number
A	1	Splash Guard - Front Right	T98J2 6RR0C
B	1	Splash Guard - Front Left	T98J2 6RR0B
C	6	Screw (Phillips) M5 x 20 mm	14-51 00891
D	4	Spring Clip M5	12-41 0015U
E	1	Template Sheet	---
F	1	Installation Instruction Replacement Template	999V2 AW000



A



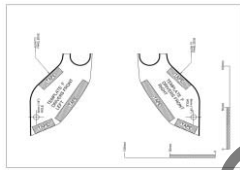
B



C



D



E



F

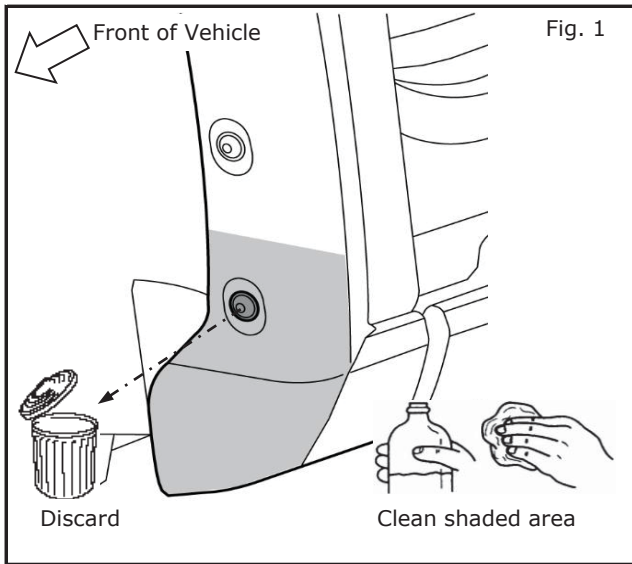
TOOLS REQUIRED:

- Mild soap / water mixture
- Clean Rag
- #2 Phillips head screw driver
- Masking Tape
- 6mm or 1/4" Drill
- T20 Torx Driver
- Awl

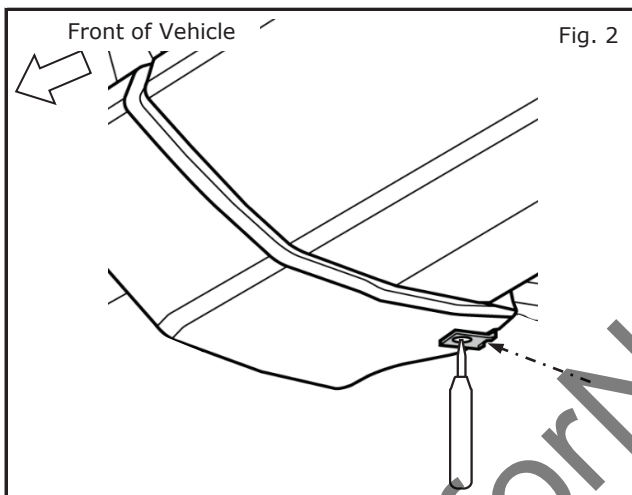
PRE-INSTALLATION WARNINGS, CAUTIONS, CRITICAL STEPS, and NOTES:

- These installation instructions are for the left side of the vehicle; the same procedure applies to the right side.
- Dealer Installation Recommended.

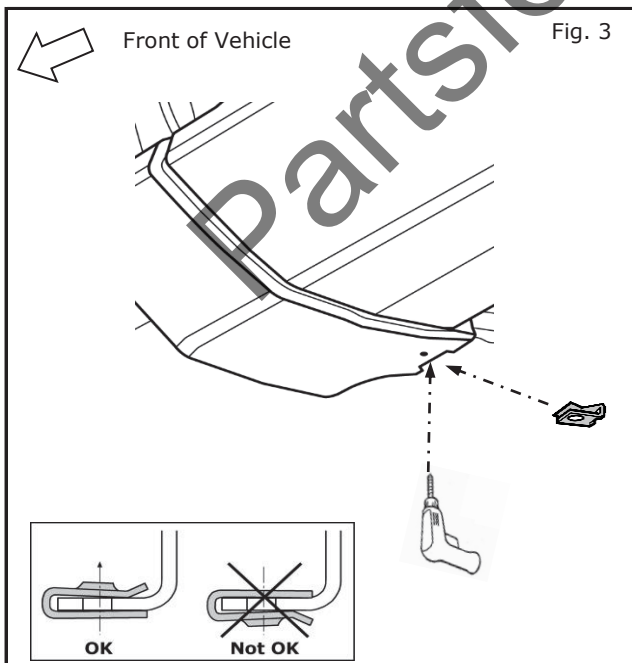
INSTALLATION PROCEDURE:



- 1) Clean installation surface (shaded area) with mild soap/water mixture.
- 2) Remove one (1) screw and discard.

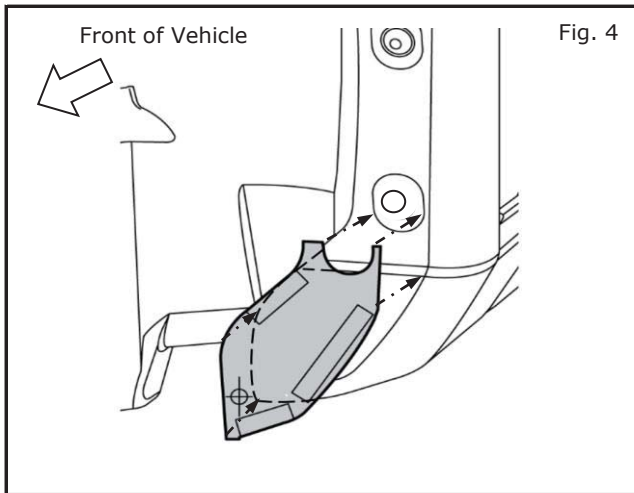


- 3) Center spring clip in notch and push in all the way.
- 4) Make an indentation directly in middle of circle with awl.
- 5) Remove spring nut.

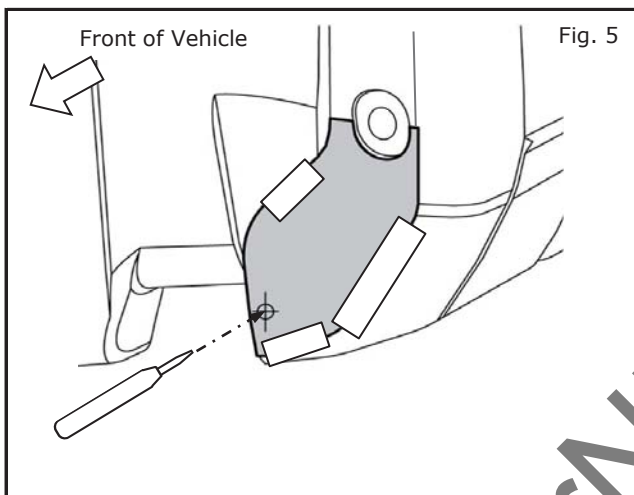


- 6) Drill 6mm (1/4") hole in panel at marked location.
- 7) Install spring clip over hole.

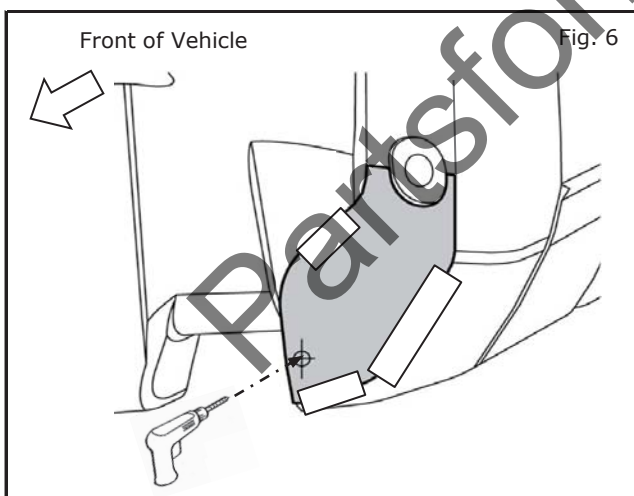
INSTALLATION PROCEDURE:



- 8) Align drilling template to inner edge of fender molding as indicated on template. Use masking tape as indicated on template to secure in place.

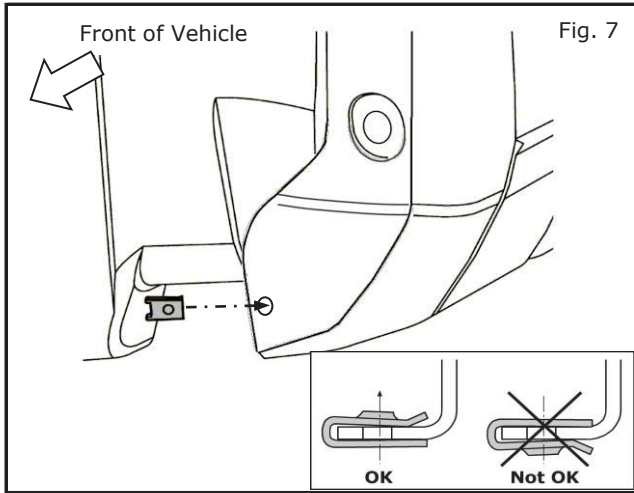


- 9) Mark drill location with awl.

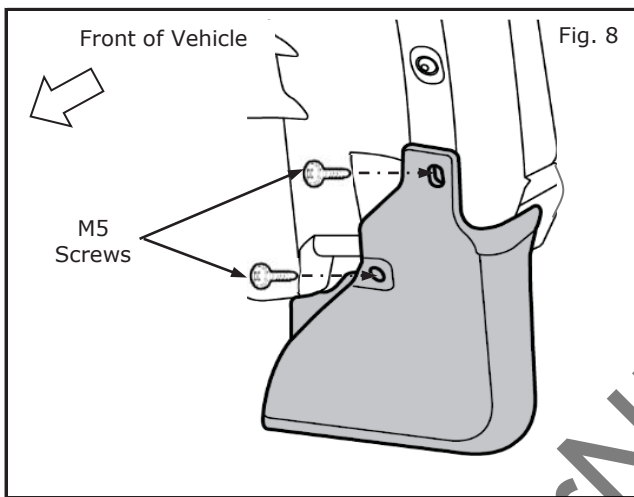


- 10) Drill 6mm (1/4") hole as indicated on template.

INSTALLATION PROCEDURE:

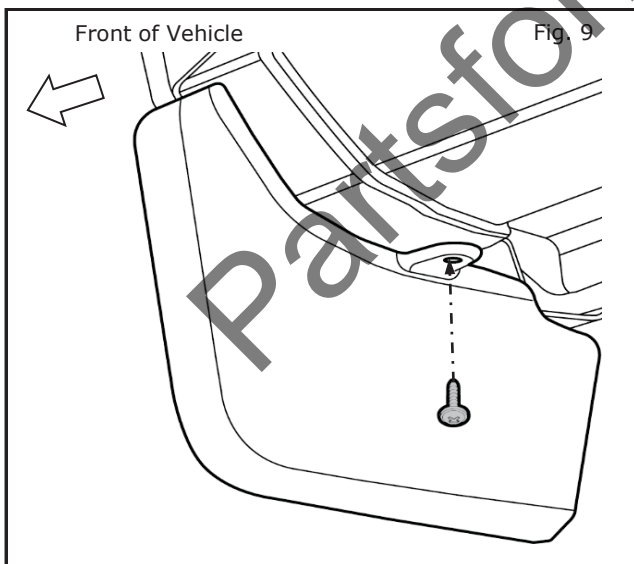


11) Remove template. Install spring clip over hole.



12) Align splash guard and loosely install two (2) M5 screws.

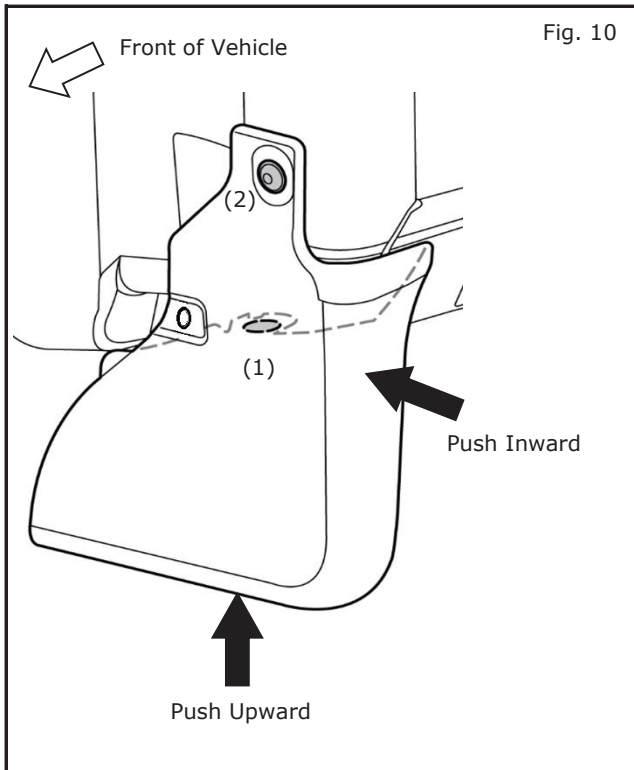
NOTE:
Do not tighten screws at this time.



13) Loosely install one (1) M5 screw.

NOTE:
Do not tighten screws at this time.

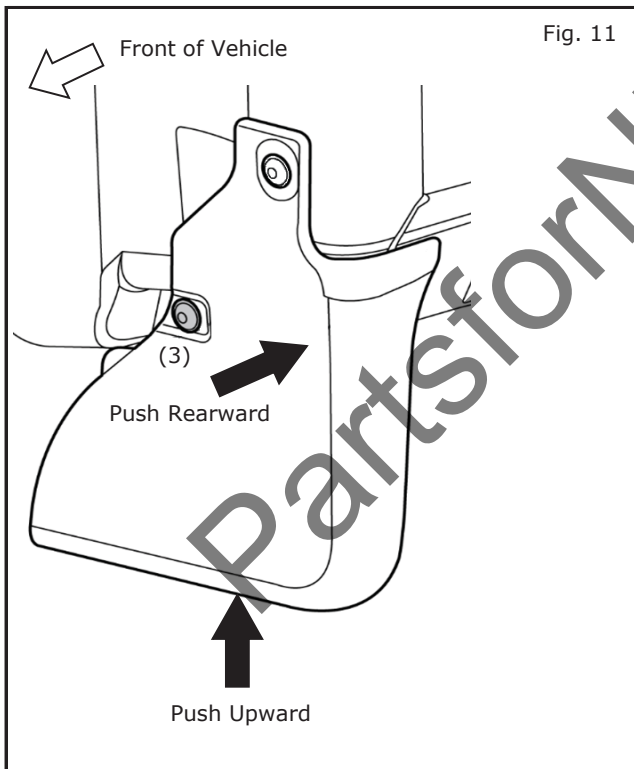
INSTALLATION PROCEDURE:



- 14) Push splash guard upward and inward towards vehicle and tighten screws in sequence shown.

NOTE:

Do not over tighten screws. Reference Tighten Torque: 3.8~4.4N-m { 34~39 in-lb }



- 15) Push splash guard upward and rearward and tighten final screw.

NOTE:

Do not over tighten screws. Reference Tighten Torque: 3.8~4.4N-m { 34~39 in-lb }

- 16) Repeat for passenger side of vehicle.