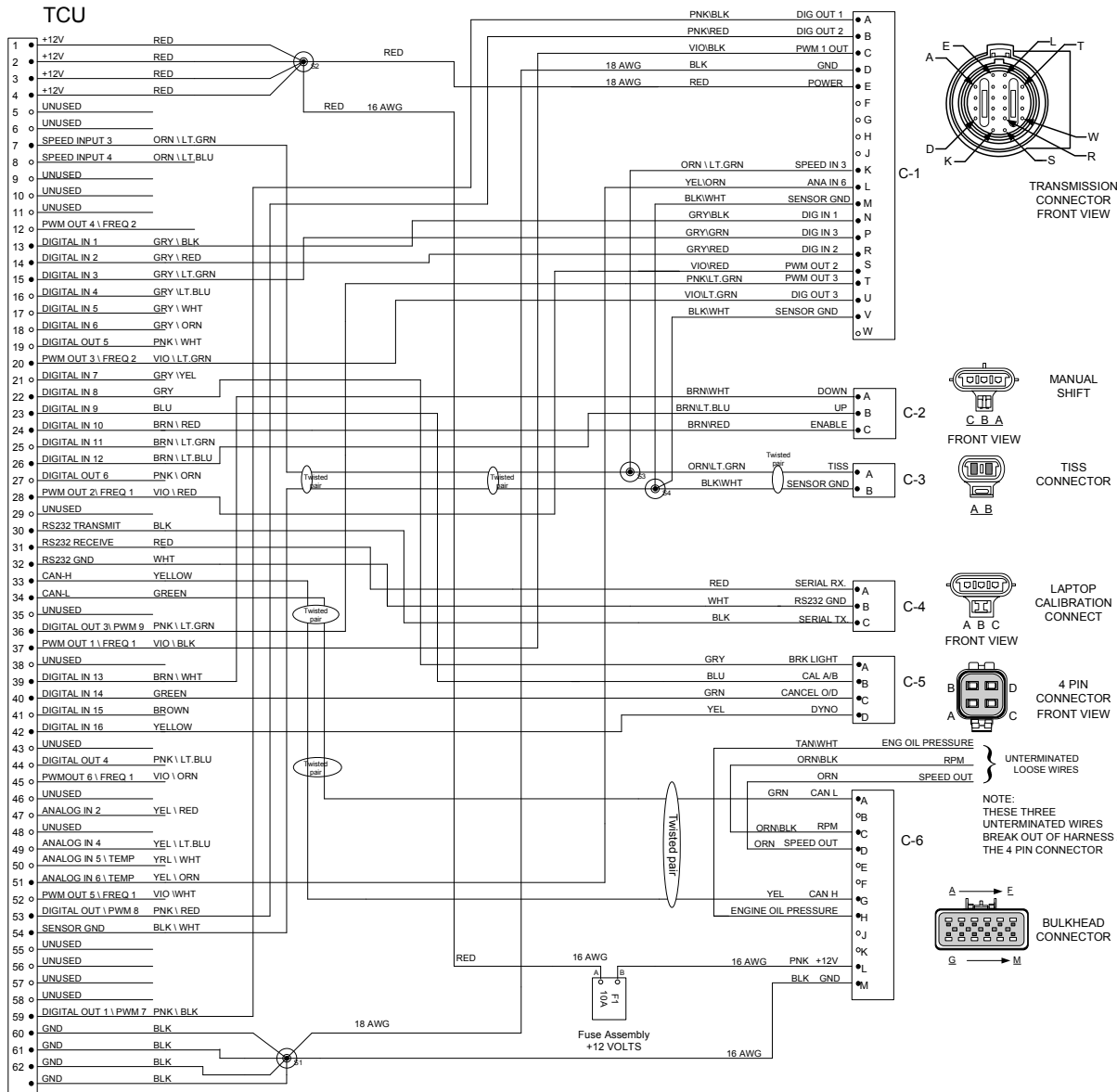


TITLE:  
SUPERMATIC INSTRUCTIONS

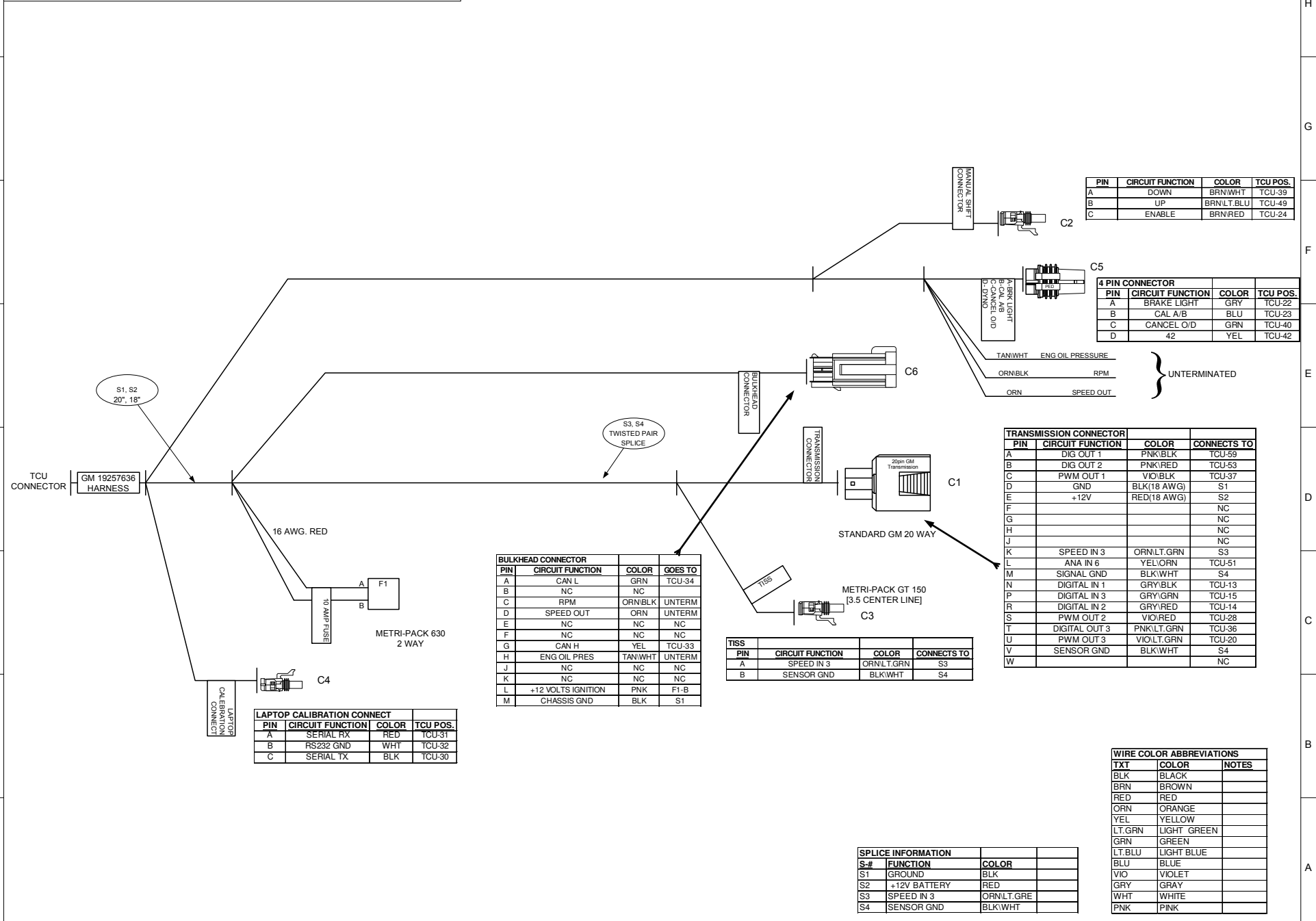
PART #:  
GM PART NUMBER 19257636



SPlice INFORMATION		
S-#	FUNCTION	COLOR
S1	GROUND	BLK
S2	+12V BATTERY	RED
S3	SPEED IN 3	ORN/LT. GRE
S4	SENSOR GND	BLK/WHT

TITLE:  
SUPERMATIC INSTRUCTIONS

PART #:  
GM PART NUMBER 19257636



PIN	CIRCUIT FUNCTION	COLOR	TCU POS.
A	DOWN	BRN/WHT	TCU-39
B	UP	BRN/LT.BLU	TCU-49
C	ENABLE	BRN/RED	TCU-24

4 PIN CONNECTOR			
PIN	CIRCUIT FUNCTION	COLOR	TCU POS.
A	BRAKE LIGHT	GRY	TCU-22
B	CAL A/B	BLU	TCU-23
C	CANCEL O/D	GRN	TCU-40
D	42	YEL	TCU-42

TRANSMISSION CONNECTOR			
PIN	CIRCUIT FUNCTION	COLOR	CONNECTS TO
A	DIG OUT 1	PNK/BLK	TCU-59
B	DIG OUT 2	PNK/RED	TCU-53
C	PWM OUT 1	VIO/BLK	TCU-37
D	GND	BLK(18 AWG)	S1
E	+12V	RED(18 AWG)	S2
F		NC	NC
G		NC	NC
H		NC	NC
J		NC	NC
K	SPEED IN 3	ORN/LT.GRN	S3
L	ANA IN 6	YEL/ORN	TCU-51
M	SIGNAL GND	BLK/WHT	S4
N	DIGITAL IN 1	GRY/BLK	TCU-13
P	DIGITAL IN 3	GRY/GRN	TCU-15
R	DIGITAL IN 2	GRY/RED	TCU-14
S	PWM OUT 2	VIO/RED	TCU-28
T	DIGITAL OUT 3	PNK/LT.GRN	TCU-36
U	PWM OUT 3	VIO/LT.GRN	TCU-20
V	SENSOR GND	BLK/WHT	S4
W			NC

BULKHEAD CONNECTOR			
PIN	CIRCUIT FUNCTION	COLOR	GOES TO
A	CAN L	GRN	TCU-34
B	NC	NC	NC
C	RPM	ORN/BLK	UNTERM
D	SPEED OUT	ORN	UNTERM
E	NC	NC	NC
F	NC	NC	NC
G	CAN H	YEL	TCU-33
H	ENG OIL PRES	TAN/WHT	UNTERM
J	NC	NC	NC
K	NC	NC	NC
L	+12 VOLTS IGNITION	PNK	F1-B
M	CHASSIS GND	BLK	S1

TISS			
PIN	CIRCUIT FUNCTION	COLOR	CONNECTS TO
A	SPEED IN 3	ORN/LT.GRN	S3
B	SENSOR GND	BLK/WHT	S4

LAPTOP CALIBRATION CONNECT			
PIN	CIRCUIT FUNCTION	COLOR	TCU POS.
A	SERIAL RX	RED	TCU-31
B	RS232 GND	WHT	TCU-32
C	SERIAL TX	BLK	TCU-30

WIRE COLOR ABBREVIATIONS		
TXT	COLOR	NOTES
BLK	BLACK	
BRN	BROWN	
RED	RED	
ORN	ORANGE	
YEL	YELLOW	
LT.GRN	LIGHT GREEN	
GRN	GREEN	
LT.BLU	LIGHT BLUE	
BLU	BLUE	
VIO	VIOLET	
GRY	GRAY	
WHT	WHITE	
PNK	PINK	

SPICE INFORMATION		
S-#	FUNCTION	COLOR
S1	GROUND	BLK
S2	+12V BATTERY	RED
S3	SPEED IN 3	ORN/LT.GRE
S4	SENSOR GND	BLK/WHT